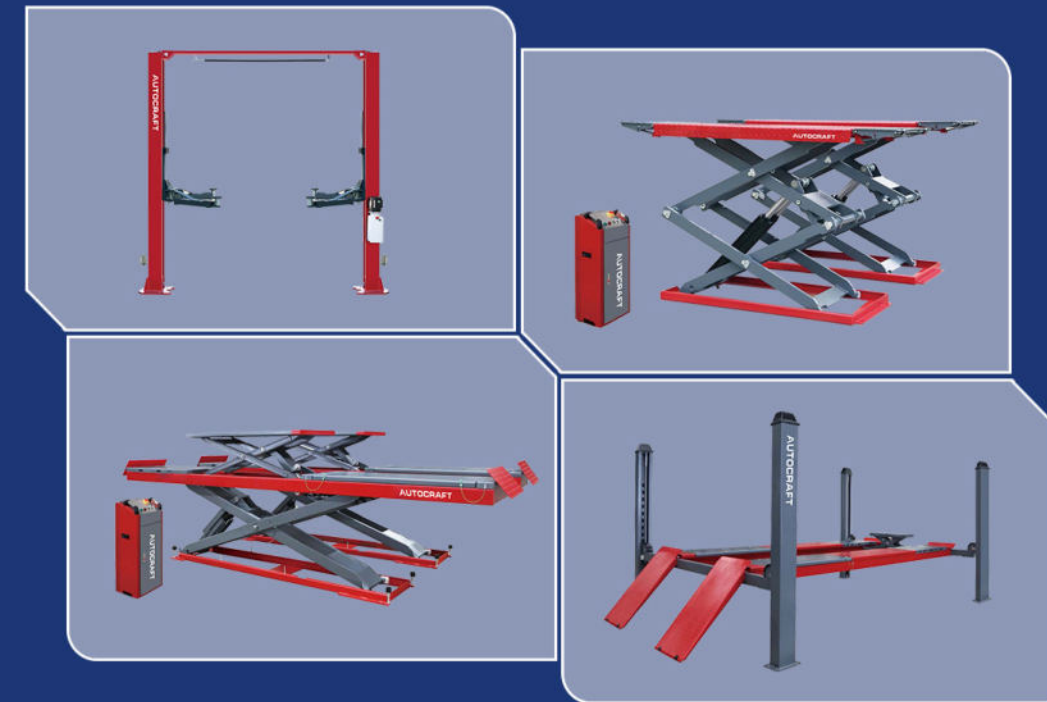


AUTOCRAFT

2024

Car Lift Catalogue



Autocraft Technology Co., Ltd.

Address: Building 5, Zhengzhong Industrial Park,
Xintang Road, Fuyong Street, Baoan District, Shenzhen, China
Mobile: +86 199 25478757
Email: justin@autocraftek.com
Website: www.autocraftek.com



Two post lift | Scissor lift | Four post lift | Single post lift

Company Profile

We, Autocraft Technology Co., Ltd., are in the field of automotive aftermarket with experience of car lifting equipment, tire maintenance equipment and other maintenance equipment. Our factory covers 25,000 m² production area. Our factory develops and produces high quality car lift and tire maintenance equipment, which equipped with Han's laser cutting machine, large automatic polishing machine, surface treatment machine, spray assembly lines, welding robots, CNC machine tools and other top-notch devices.

OEM and ODM services are offered on request.



Product Series

01

Scissor Lift

02

Four Post Lift

03

Two Post Lift

04

Single Post Lift

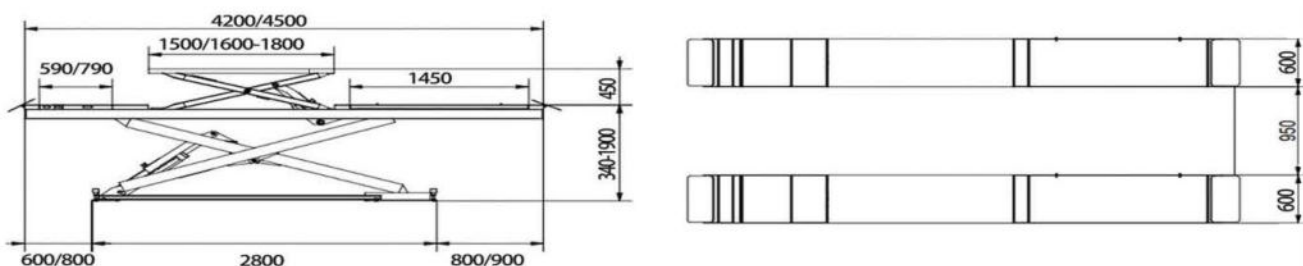
ASL40/40S

In-ground Scissor Lift

- ⊙ 4T Capacity
- ⊙ Electronic pneumatic release
- ⊙ Second lifting plate for wheel alignment



Dimension(Unit: mm)



KEY FEATURES

1. Electronic-pneumatic release, safer and reliable.
2. Upper return oil is equipped to oil cylinder, rust-proof.
3. Electronic control box with front and rear door.
4. 24V electronic control
5. Shot blasting finish, advance outdoor powder automatic electrostatics spray aesthetic and durable.
6. Robots and other devices are used to ensure accurate size and smooth surface.
7. German Bosch Rexroth hydraulic valve parts, Italian imported oil sealing ring and ball valves.

TECHNICAL SPECIFICATIONS

Lifting capacity:	4000kg	Platform width:	600mm
Lifting height of main lift:	1900mm	Motor power:	3.0kw-380V/220V
Lifting height of jack lift:	450mm	Rated oil pressure:	24MPa
Mini. height:	340mm	Air pressure:	0.6-0.8Mpa
Lifting time:	70-90s	Weight:	1760kg/1900kg
Platform length:	4200mm		

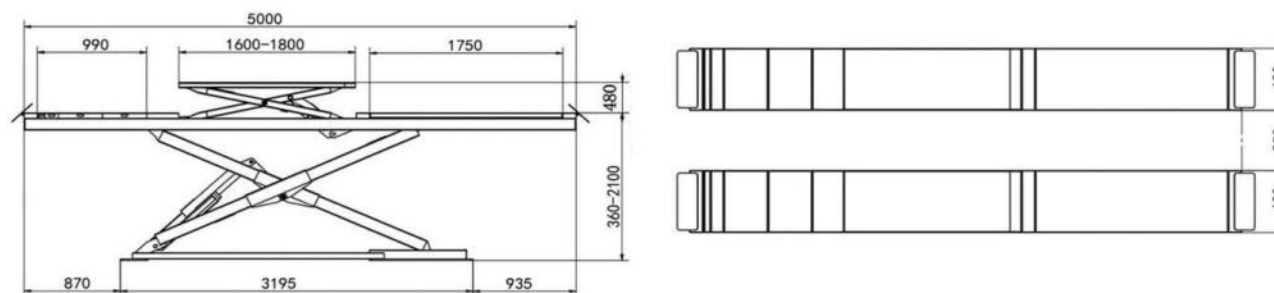
ASL50

In-ground Scissor Lift

- ⊙ 5T Capacity
- ⊙ Electronic pneumatic release
- ⊙ Second lifting plate for wheel alignment



Dimension(Unit: mm)



KEY FEATURES

1. Electronic-pneumatic release, safer and reliable.
2. Upper return oil is equipped to oil cylinder, rust-proof.
3. Electronic control box with front and rear door.
4. 24V electronic control
5. Shot blasting finish, advance outdoor powder automatic electrostatics spray aesthetic and durable.
6. Robots and other devices are used to ensure accurate size and smooth surface.
7. German Bosch Rexroth hydraulic valve parts, Italian imported oil sealing ring and ball valves.

TECHNICAL SPECIFICATIONS

Lifting capacity:	5000kg	Platform width:	630mm
Lifting height of main lift:	2100mm	Motor power:	3.0kw-380V/220V
Lifting height of jack lift:	450mm	Rated oil pressure:	24MPa
Mini. height:	360mm	Air pressure:	0.6-0.8Mpa
Lifting time:	70-90s	Weight:	2500kg
Platform length:	4800mm		

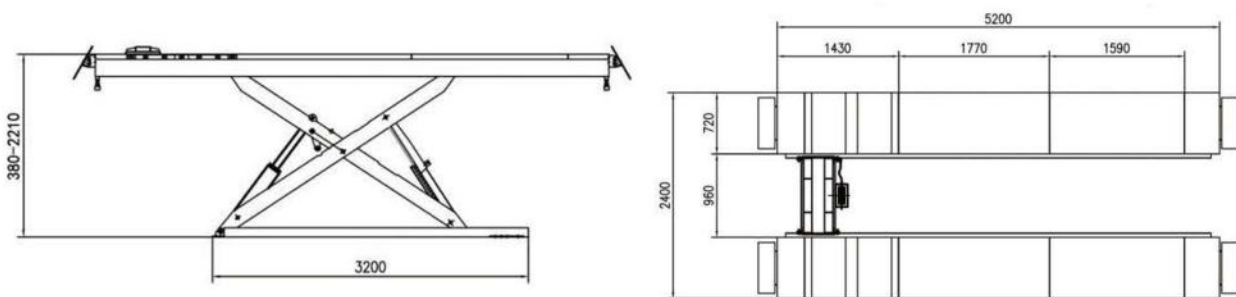
ASL80

In-ground Scissor Lift

- ⊙ 8T Capacity
- ⊙ Electronic pneumatic release
- ⊙ Second lifting plate



Dimension(Unit: mm)



KEY FEATURES

1. Electronic-pneumatic release, safer and reliable.
2. Upper return oil is equipped to oil cylinder, rust-proof.
3. Electronic control box with front and rear door.
4. 24V electronic control
5. Shot blasting finish, advance outdoor powder automatic electrostatics spray aesthetic and durable.
6. Robots and other devices are used to ensure accurate size and smooth surface.
7. German Bosch Rexroth hydraulic valve parts, Italian imported oil sealing ring and ball valves.

TECHNICAL SPECIFICATIONS

Lifting capacity:	8000kg	Platform width:	720mm
Lifting height of main lift:	2210mm	Motor power:	3.0kw-380V/220V
Lifting height of jack lift:	640mm	Rated oil pressure:	25MPa
Mini. height:	380mm	Air pressure:	0.6-1.0Mpa
Lifting time:	70-90s	Weight:	4000kg
Platform length:	5200mm		

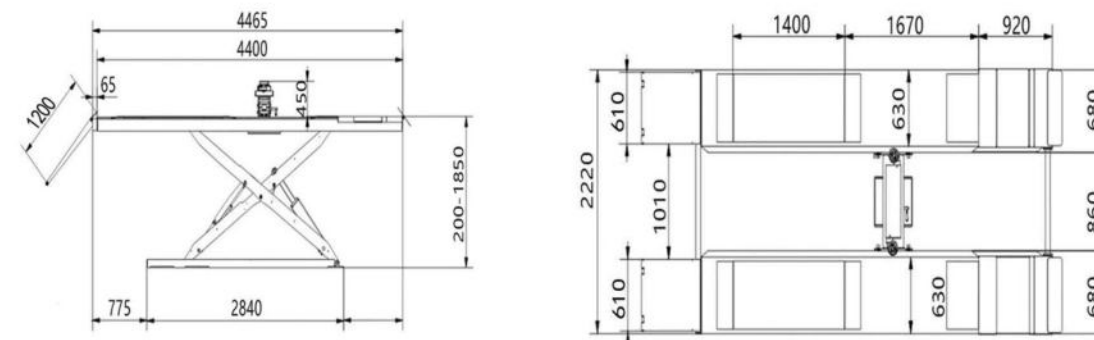
ASL40PT

Ultra-thin Pulley Scissor Lift

- ⊙ 4T Capacity
- ⊙ High strength Q355B manganese plate arm
- ⊙ 4 cylinders structure



Dimension(Unit: mm)



KEY FEATURES

1. High strength Q355B manganese plate arm.
2. Pneumatic safety release.
3. Electronic control box with front and rear door.
4. 24V safe electronic control.
5. 4 cylinders structure, stable moving.
6. Shot blasting finish, advance outdoor powder automatic electrostatics spray aesthetic and durable.
7. Robots and other devices are used to ensure accurate size and smooth surface.
8. German Bosch Rexroth hydraulic valve parts, Italian imported oil sealing ring and ball valves.

TECHNICAL SPECIFICATIONS

Lifting capacity:	4000kg	Platform width:	680mm
Lifting height of main lift:	1850mm	Motor power:	3.0kw-380V/220V
Lifting height of jack lift:	450mm	Rated oil pressure:	24MPa
Mini. height:	200mm	Air pressure:	0.6-0.8Mpa
Lifting time:	70-90s	Weight:	2100kg
Platform length:	4465mm		

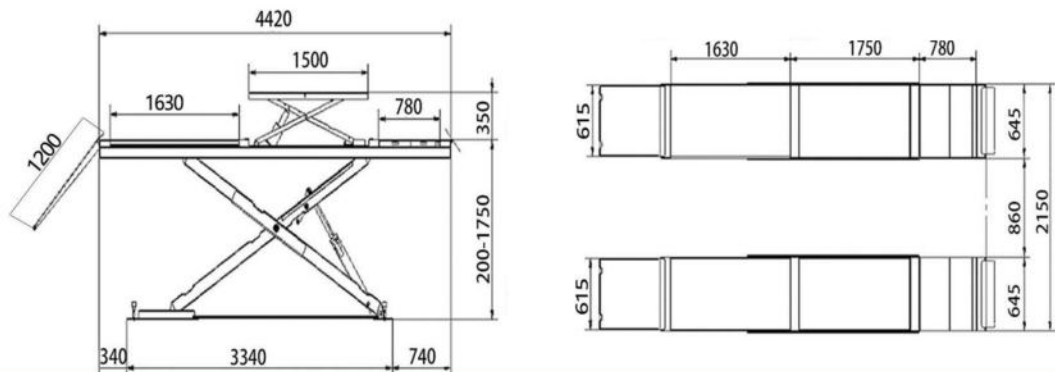
ASL40T

Ultra-thin Scissor Lift

- ⊙ 4T Capacity
- ⊙ Pneumatic safety lock
- ⊙ Second lifting plate



Dimension(Unit: mm)



KEY FEATURES

1. Pneumatic safety lock.
2. Electronic control box with front and rear door.
3. 24V safe electronic control.
4. 4 cylinders structure, stable and smooth moving.
5. Shot blasting finish, advance outdoor powder automatic electrostatics spray aesthetic and durable.
6. Robots and other devices are used to ensure accurate size and smooth surface.
7. German Bosch Rexroth hydraulic valve parts, Italian imported oil sealing ring and ball valves.

TECHNICAL SPECIFICATIONS

Lifting capacity:	4000kg	Platform width:	645mm
Lifting height of main lift:	1750mm	Motor power:	3.0kw-380V/220V
Lifting height of jack lift:	350mm	Rated oil pressure:	24MPa
Mini. height:	200mm	Air pressure:	0.6-0.8Mpa
Lifting time:	50-60s	Weight:	2030kg
Platform length:	4420mm		

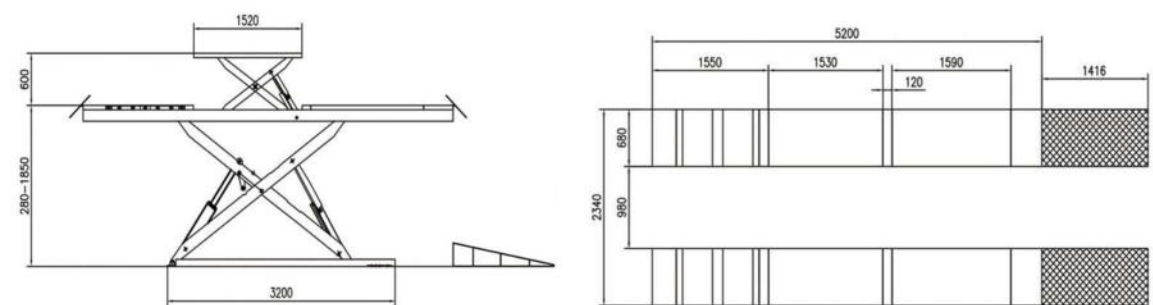
ASL50T

Ultra-thin Pulley Scissor Lift

- ⊙ 5T Capacity
- ⊙ One button levelling
- ⊙ Pneumatic lock
- ⊙ 6 cylinders structure



Dimension(Unit: mm)



KEY FEATURES

1. One button levelling, pneumatic safety release.
2. Electronic control box with front and rear door.
3. 24V safety electronic control.
4. 6 cylinders structure, stable moving.
5. Shot blasting finish, advance outdoor powder automatic electrostatics spray aesthetic and durable.
6. Robots and other devices are used to ensure accurate size and smooth surface.
7. German Bosch Rexroth hydraulic valve parts, Italian imported oil sealing ring and ball valves.

TECHNICAL SPECIFICATIONS

Lifting capacity:	5000kg	Platform width:	680mm
Lifting height of main lift:	1850mm	Motor power:	3.0kw-380V/220V
Lifting height of jack lift:	600mm	Rated oil pressure:	25MPa
Mini. height:	280mm	Air pressure:	0.6-1.0Mpa
Lifting time:	50-60s	Weight:	3500kg
Platform length:	5200mm		

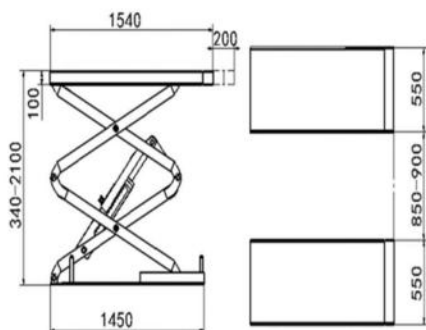
ASL30

In-ground Little Scissor Lift

- ⊙ 3.0T Capacity
- ⊙ Pneumatic safety lock
- ⊙ One button levelling



Dimension(Unit: mm)



KEY FEATURES

1. Pneumatic safety lock.
2. Electronic control box with front and rear door.
3. 24V safe electronic control.
4. Optional double sides extension and SUV frame.
5. Shot blasting finish, advance outdoor powder automatic electrostatics spray aesthetic and durable.
6. Robots and other devices are used to ensure accurate size and smooth surface.
7. German Bosch Rexroth hydraulic valve parts, Italian imported oil sealing ring and ball valves.

TECHNICAL SPECIFICATIONS

Lifting capacity:	3000kg	Platform width:	550mm
Lifting height of main lift:	1750mm	Motor power:	2.2kw-380V/220V
Mini. height:	340mm	Rated oil pressure:	24MPa
Lifting time:	70-90s	Air pressure:	0.6-0.8Mpa
Platform length:	1540mm	Weight:	800kg

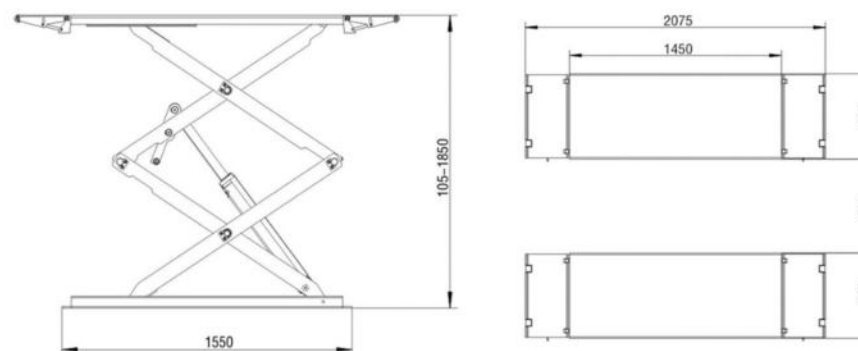
ASL30T

Ultra-thin Little Scissor Lift

- ⊙ 3.0T Capacity
- ⊙ One button levelling
- ⊙ High strength Q355B manganese plate



Dimension(Unit: mm)



KEY FEATURES

1. High strength Q355B manganese plate, the upper cover is checkered plate, anti-skid and aesthetic.
2. Double oil-way, one button levelling.
3. Electronic control box with front and rear door.
4. 24V safe electronic control.
5. 4 cylinders structure, stable and smooth moving.
6. Shot blasting finish, advance outdoor powder automatic electrostatics spray aesthetic and durable.
7. Robots and other devices are used to ensure accurate size and smooth surface.
8. German Bosch Rexroth hydraulic valve parts, Italian imported oil sealing ring and ball valves.

TECHNICAL SPECIFICATIONS

Lifting capacity:	3000kg	Platform width:	635mm
Lifting height of main lift:	1850mm	Motor power:	2.2kw-380V/220V
Mini. height:	105mm	Rated oil pressure:	24MPa
Lifting time:	70-90s	Air pressure:	0.6-0.8Mpa
Platform length:	1450mm	Weight:	890kg

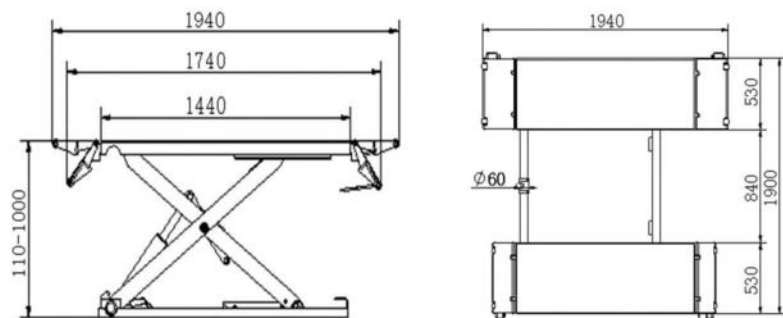
ASL30M

Middle Rise Scissor Lift

- ⊙ 3.0T Capacity
- ⊙ Free installation
- ⊙ Pneumatic release



Dimension(Unit: mm)



KEY FEATURES

1. Free installation and moveable at any time.
2. Pneumatic release, optional of electric lock.
3. Coupled axle drive, solid synchronous performance and lifting capacity.
4. Shot blasting finish, advance outdoor powder automatic electrostatics spray aesthetic and durable.
5. Robots and other devices are used to ensure accurate size and smooth surface.
6. German Bosch Rexroth hydraulic valve parts, Italian imported oil sealing ring and ball valves.

TECHNICAL SPECIFICATIONS

Lifting capacity:	3000kg	Platform width:	530mm
Lifting height:	1000mm	Motor power:	2.2kw-380V/220V
Mini. height:	110mm	Rated oil pressure:	24MPa
Lifting time:	50s	Air pressure:	0.6-0.8Mpa
Platform length:	1440mm	Weight:	580kg

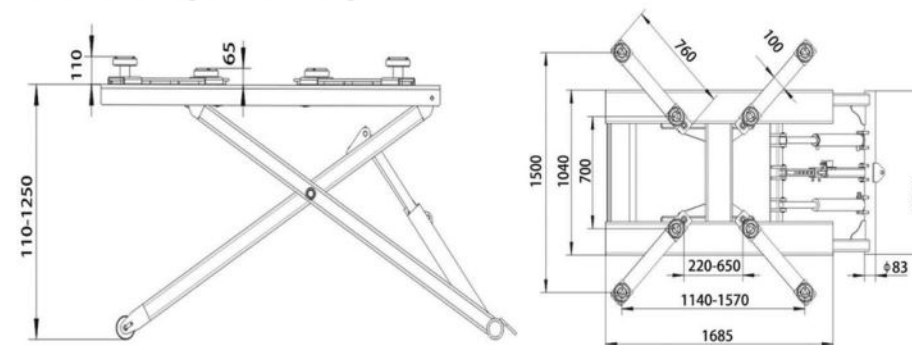
ASL27M

Middle Rise Scissor Lift

- ⊙ 3T Capacity
- ⊙ Free installation and movable
- ⊙ Pneumatic release



Dimension(Unit: mm)



KEY FEATURES

1. Pneumatic release, safe and reliable.
2. The initial height is lower (110mm), trench-free, integrated pulley.
3. Coupled axle drive, solid synchronous performance and lifting capacity.
4. Hydraulic system is assembled by imported electro-magnetic valve and seal componets, guarantee the stability and working life of the machine.
5. When power supply is off, lift and vehicle can be down manually.
6. Safety alar device is designed for up and down.
7. Oil cylinder with upper return oil, rust-proof.

TECHNICAL SPECIFICATIONS

Lifting capacity:	2700kg	Platform width:	1040mm
Lifting height of main lift:	1250mm	Total width:	1900mm
Mini. height:	110mm	Motor power:	2.2kw-380V/220V
Lifting time:	30-50s	Rated oil pressure:	24MPa
Platform length:	1685mm	Weight:	450kg

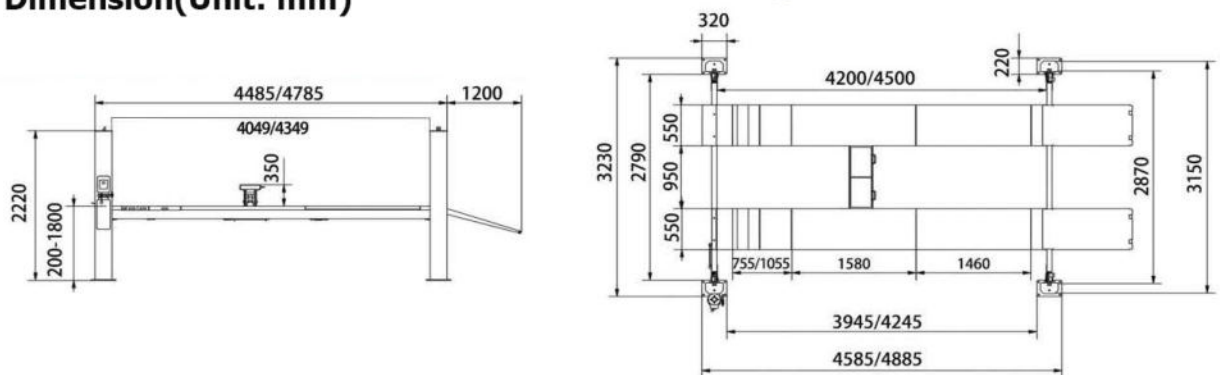
AFL40/40S

Four Post Lift

- ⊙ 4T Capacity
- ⊙ Adjustable runway space
- ⊙ Wire rope anti-fracture system



Dimension(Unit: mm)



KEY FEATURES

1. Hydraulic power unit equipped with throttling device, adjustable decline speed.
2. Hydraulic oil cylinder and wire rope drive, keeping stable and smooth lifting.
3. Equipped with wire control safety lock, with function of wire rope anti-fracture, more safe operation.
4. Adjustable runway spacing, fitting for various kinds of vehicle.
5. Shot blasting finish, advance outdoor powder automatic electrostatics spray aesthetic and durable.
6. Robots and other devices are used to ensure accurate size and smooth surface.
7. German Bosch Rexroth hydraulic valve parts, Italian imported oil sealing ring and ball valves.
8. Optional for manual, pneumatic and electric release.

TECHNICAL SPECIFICATIONS

Lifting capacity:	4000kg	Platform width:	550mm
Lifting height of main lift:	1800mm	Motor power:	2.2kw-380V/220V
Lifting height of jack lift:	350mm	Rated oil pressure:	24MPa
Mini. height:	200mm	Air pressure:	0.6-0.8MPa
Lifting time:	50-60s	Weight:	450kg
Platform length:	4200/4500mm		

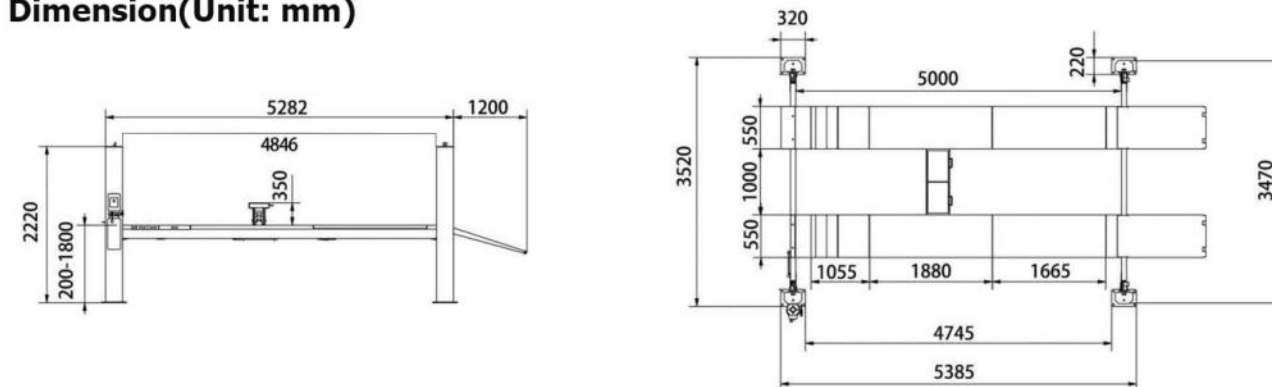
AFL50

Four Post Lift

- ⊙ 5T Capacity
- ⊙ Adjustable runway space
- ⊙ Wire rope anti-fracture system



Dimension(Unit: mm)



KEY FEATURES

1. Hydraulic power unit equipped with throttling device, adjustable decline speed.
2. Hydraulic oil cylinder and wire rope drive, keeping stable and smooth lifting.
3. Equipped with wire control safety lock, with function of wire rope anti-fracture, more safe operation.
4. Adjustable runway spacing, fitting for various kinds of vehicle.
5. Shot blasting finish, advance outdoor powder automatic electrostatics spray aesthetic and durable.
6. Robots and other devices are used to ensure accurate size and smooth surface.
7. German Bosch Rexroth hydraulic valve parts, Italian imported oil sealing ring and ball valves.
8. Optional for manual, pneumatic and electric release.

TECHNICAL SPECIFICATIONS

Lifting capacity:	5000kg	Platform width:	550mm
Lifting height of main lift:	1800mm	Motor power:	3.0kw-380V/220V
Lifting height of jack lift:	350mm	Rated oil pressure:	24MPa
Mini. height:	200mm	Air pressure:	0.6-0.8MPa
Lifting time:	50-60s	Weight:	1400kg
Platform length:	5000mm		

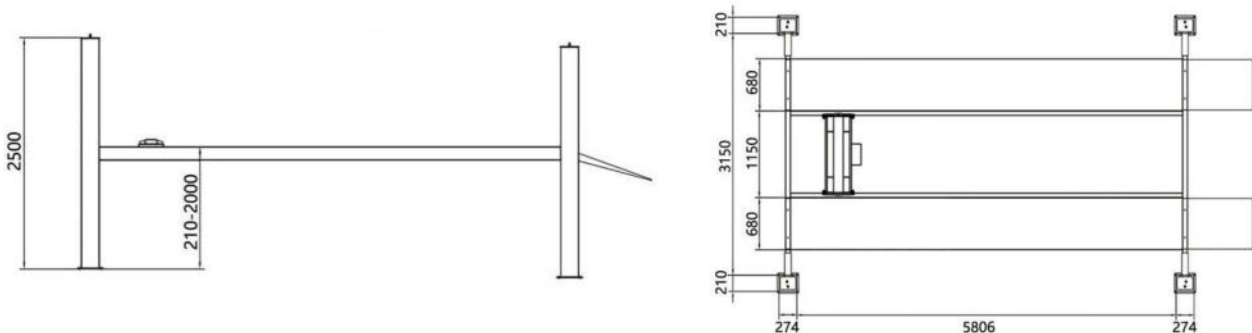
AFL80

Four Post Lift

- ⊙ 8T Capacity
- ⊙ Adjustable runway space
- ⊙ Wire rope anti-fracture system



Dimension(Unit: mm)



KEY FEATURES

1. Hydraulic power unit equipped with throttling device, adjustable decline speed.
2. Hydraulic oil cylinder and wire rope drive, keeping stable and smooth lifting.
3. Equipped with wire control safety lock, with function of wire rope anti-fracture, more safe operation.
4. Adjustable runway spacing, fitting for various kinds of vehicle.
5. Shot blasting finish, advance outdoor powder automatic electrostatics spray aesthetic and durable.
6. Robots and other devices are used to ensure accurate size and smooth surface.
7. German Bosch Rexroth hydraulic valve parts, Italian imported oil sealing ring and ball valves.
8. Optional for manual, pneumatic and electric release.

TECHNICAL SPECIFICATIONS

Lifting capacity:	8000kg	Platform width:	680mm
Lifting height of main lift:	2000mm	Motor power:	3.0kw-380V/220V
Mini. height:	210mm	Rated oil pressure:	24MPa
Lifting time:	50-60s	Air pressure:	0.6-0.8MPa
Platform length:	6000mm	Weight:	2770kg

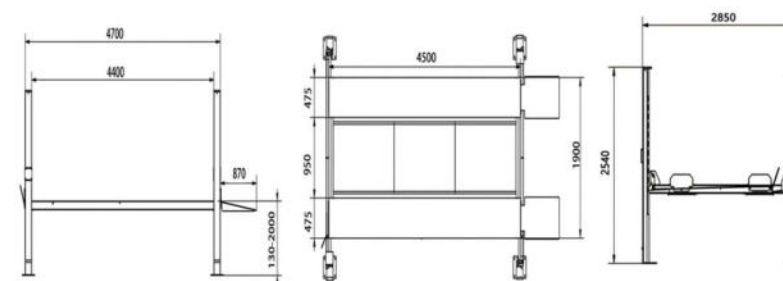
AFL35P

Parking Lift

- ⊙ 3.5T Capacity
- ⊙ Multi-type release optional
- ⊙ Wire rope anti-fracture system



Dimension(Unit: mm)



KEY FEATURES

1. Hydraulic power unit equipped with throttling device, adjustable decline speed.
2. Hydraulic oil cylinder and wire rope drive, keeping stable and smooth lifting.
3. Equipped with wire control safety lock, with function of wire rope anti-fracture, more safe operation.
4. Shot blasting finish, advance outdoor powder automatic electrostatics spray aesthetic and durable.
5. Robots and other devices are used to ensure accurate size and smooth surface.
6. German Bosch Rexroth hydraulic valve parts, Italian imported oil sealing ring and ball valves.
7. Optional for manual, pneumatic and electric release.

TECHNICAL SPECIFICATIONS

Lifting capacity:	3500kg	Platform width:	480mm
Lifting height of main lift:	2000mm	Motor power:	2.2kw-380V/220V
Mini. height:	115mm	Rated oil pressure:	24MPa
Lifting time:	50-60s	Air pressure:	0.6-0.8MPa
Platform length:	4000mm	Weight:	980kg

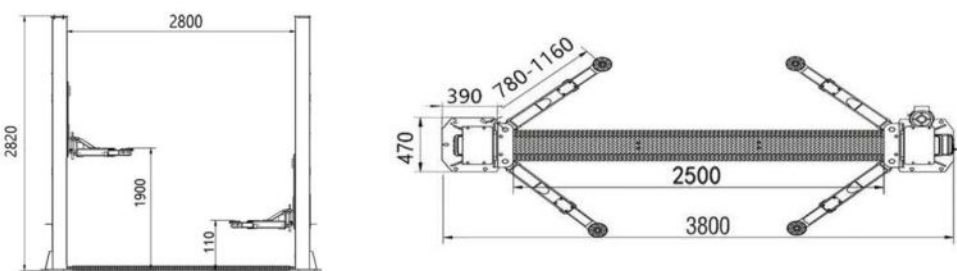
ATL40B

Two Post Lift

- ⊙ 4T Capacity
- ⊙ Two side manual lock
- ⊙ Base floor plate type
- ⊙ Strong base plate



Dimension(Unit: mm)



KEY FEATURES

1. Bilateral manual lock, floor plate model.
2. Laser cutting 5mm column, large base.
3. Optional of 24V safety electronic control box.
4. Safety lock works within 500mm from the ground.
5. Shot blasting finish, advance outdoor powder automatic electrostatics spray aesthetic and durable.
6. Robots and other devices are used to ensure accurate size and smooth surface.
7. German Bosch Rexroth hydraulic valve parts, Italian imported oil sealing ring and ball valves.

TECHNICAL SPECIFICATIONS

Lifting capacity:	4000kg	Inner column width:	2800mm
Lifting height:	1900mm	Total width:	3380mm
Mini. height:	110mm	Motor power:	2.2kw-380V/220V
Lifting time:	50-60s	Rated oil pressure:	24MPa
Pass width:	2500mm	Weight:	595kg

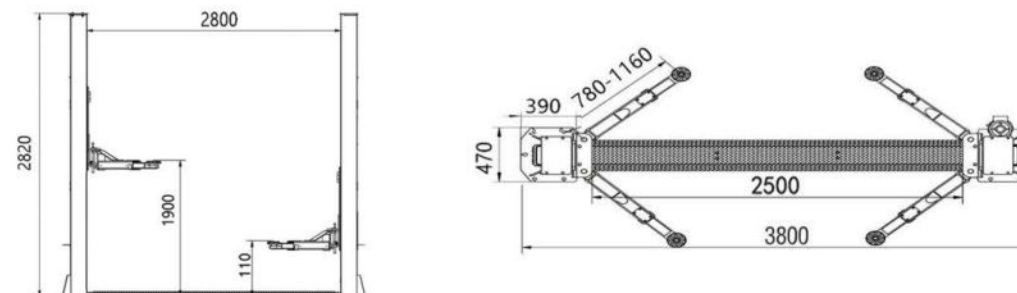
ATL40BS

Two Post Lift

- ⊙ 4T Capacity
- ⊙ Single side manual lock
- ⊙ Base floor plate type
- ⊙ Strong base plate



Dimension(Unit: mm)



KEY FEATURES

1. Single manual lock, floor plate model.
2. Laser cutting 5mm column, large base.
3. Optional of 24V safety electronic control box.
4. Safety lock works within 500mm from the ground.
5. Shot blasting finish, advance outdoor powder automatic electrostatics spray aesthetic and durable.
6. Robots and other devices are used to ensure accurate size and smooth surface.
7. German Bosch Rexroth hydraulic valve parts, Italian imported oil sealing ring and ball valves.

TECHNICAL SPECIFICATIONS

Lifting capacity:	4000kg	Inner column width:	2800mm
Lifting height:	1900mm	Total width:	3380mm
Mini. height:	110mm	Motor power:	2.2kw-380V/220V
Lifting time:	50-60s	Rated oil pressure:	24MPa
Pass width:	2500mm	Weight:	610kg

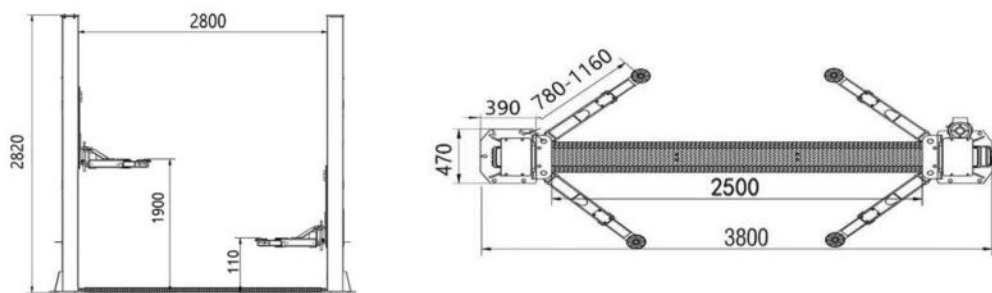
ATL40BA

Two Post Lift

- ⊙ 4T Capacity
- ⊙ Electric lock
- ⊙ Base floor plate type
- ⊙ Strong base plate



Dimension(Unit: mm)



KEY FEATURES

1. Electric lock, floor plate model.
2. Laser cutting 5mm column, large base.
3. 24V safety electronic control box.
4. Safety lock works within 500mm from the ground.
5. Shot blasting finish, advance outdoor powder automatic electrostatics spray aesthetic and durable.
6. Robots and other devices are used to ensure accurate size and smooth surface.
7. German Bosch Rexroth hydraulic valve parts, Italian imported oil sealing ring and ball valves.

TECHNICAL SPECIFICATIONS

Lifting capacity:	4000kg	Inner column width:	2800mm
Lifting height:	1900mm	Total width:	3380mm
Mini. height:	110mm	Motor power:	2.2kw-380V/220V
Lifting time:	50-60s	Rated oil pressure:	24MPa
Pass width:	2500mm	Weight:	620kg

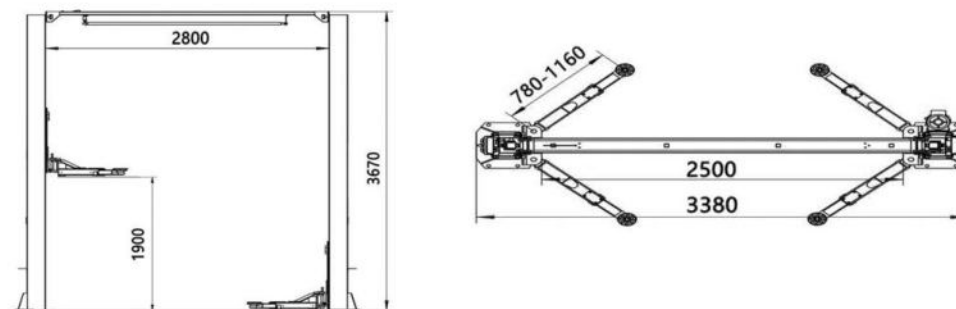
ATL40C

Two Post Lift

- ⊙ 4T Capacity
- ⊙ Two side manual lock
- ⊙ Clear floor plate type
- ⊙ Strong base plate



Dimension(Unit: mm)



KEY FEATURES

1. Bilateral manual lock, clear floor model.
2. Laser cutting 5mm column, large base.
3. Optional of 24V safety electronic control box.
4. Safety lock works within 500mm from the ground.
5. Shot blasting finish, advance outdoor powder automatic electrostatics spray aesthetic and durable.
6. Robots and other devices are used to ensure accurate size and smooth surface.
7. German Bosch Rexroth hydraulic valve parts, Italian imported oil sealing ring and ball valves.

TECHNICAL SPECIFICATIONS

Lifting capacity:	4000kg	Inner column width:	2800mm
Lifting height:	1900mm	Total width:	3380mm
Mini. height:	110mm	Motor power:	2.2kw-380V/220V
Lifting time:	50-60s	Rated oil pressure:	24MPa
Pass width:	2500mm	Weight:	625kg

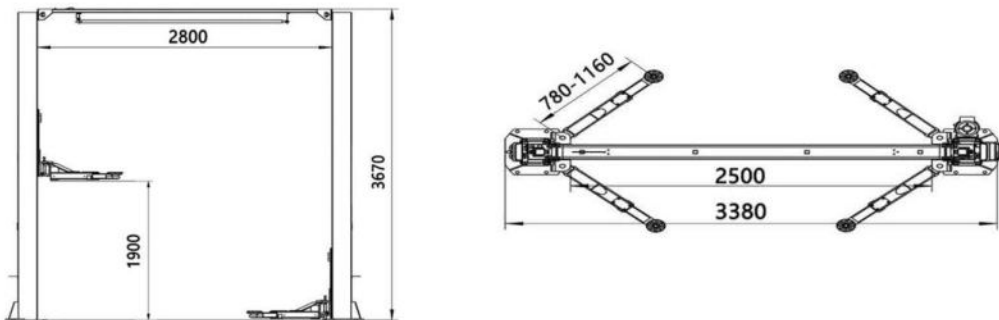
ATL40CS

Two Post Lift

- ⊙ 4T Capacity
- ⊙ Single side manual lock
- ⊙ Clear floor type
- ⊙ Strong base plate



Dimension(Unit: mm)



KEY FEATURES

1. Single manual side release..
2. Laser cutting 5mm column, large base.
3. Optional of 24V safety electronic control box.
4. Shot blasting finish, advance outdoor powder automatic electrostatics spray aesthetic and durable.
5. Robots and other devices are used to ensure accurate size and smooth surface.
6. German Bosch Rexroth hydraulic valve parts, Italian imported oil sealing ring and ball valves.

TECHNICAL SPECIFICATIONS

Lifting capacity:	4000kg	Inner column width:	2800mm
Lifting height:	1900mm	Total width:	3380mm
Mini. height:	110mm	Motor power:	2.2kw-380V/220V
Lifting time:	50-60s	Rated oil pressure:	24MPa
Pass width:	2500mm	Weight:	640kg

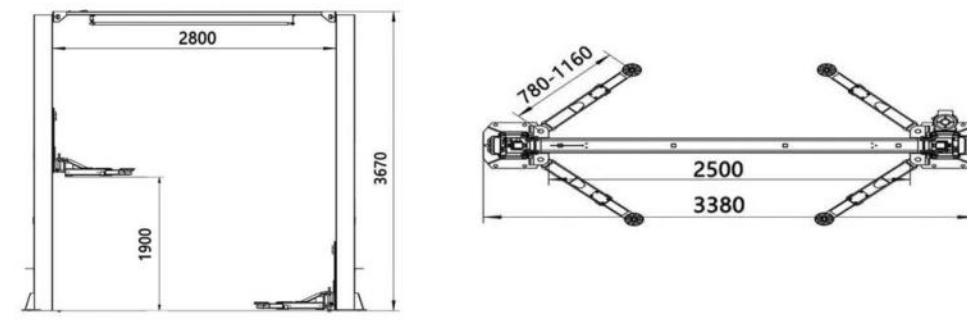
ATL40CA

Two Post Lift

- ⊙ 4T Capacity
- ⊙ Electric lock
- ⊙ Clear floor plate type
- ⊙ Strong base plate



Dimension(Unit: mm)



KEY FEATURES

1. Electric lock, clear floor model.
2. Laser cutting 5mm column, large base.
3. 24V safety electronic control box.
4. Shot blasting finish, advance outdoor powder automatic electrostatics spray aesthetic and durable.
5. Robots and other devices are used to ensure accurate size and smooth surface.
6. German Bosch Rexroth hydraulic valve parts, Italian imported oil sealing ring and ball valves.

TECHNICAL SPECIFICATIONS

Lifting capacity:	4000kg	Inner column width:	2800mm
Lifting height:	1900mm	Total width:	3380mm
Mini. height:	110mm	Motor power:	2.2kw-380V/220V
Lifting time:	50-60s	Rated oil pressure:	24MPa
Pass width:	2500mm	Weight:	650kg

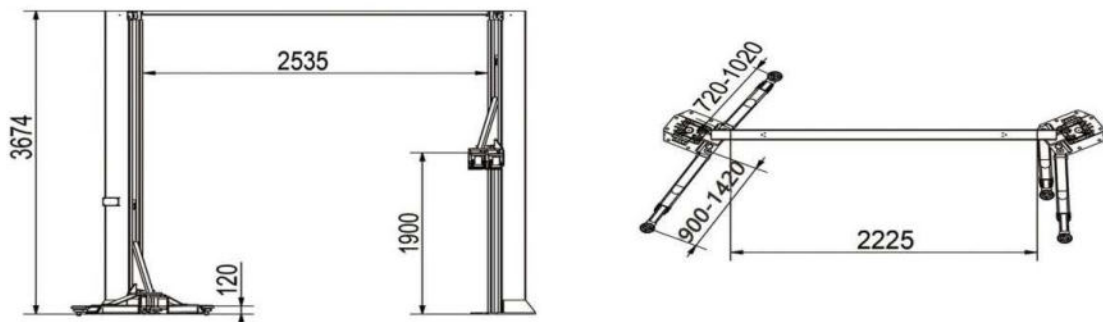
ATL50AS

Asymmetric Two Post Lift

- ⊙ 5T Capacity
- ⊙ Single side manual lock
- ⊙ Clear floor type
- ⊙ Asymmetric model



Dimension(Unit: mm)



KEY FEATURES

1. Single manual side release..
2. Laser cutting 5mm column, large base.
3. Optional of 24V safety electronic control box.
4. The arm adopts long and short arm design, larger range adjustment, suitable for different vehicle chassis, three-node arm optional instalation.
5. Column beam 45° design.
6. Robots and other devices are used to ensure accurate size and smooth surface.
7. German Bosch Rexroth hydraulic valve parts, Italian imported oil sealing ring and ball valves.

TECHNICAL SPECIFICATIONS

Lifting capacity:	5000kg	Inner column width:	2535mm
Lifting height:	1900mm	Total width:	3320mm
Mini. height:	120mm	Motor power:	3.0kw-380V/220V
Lifting time:	50-60s	Rated oil pressure:	24MPa
Pass width:	2550mm	Weight:	755kg

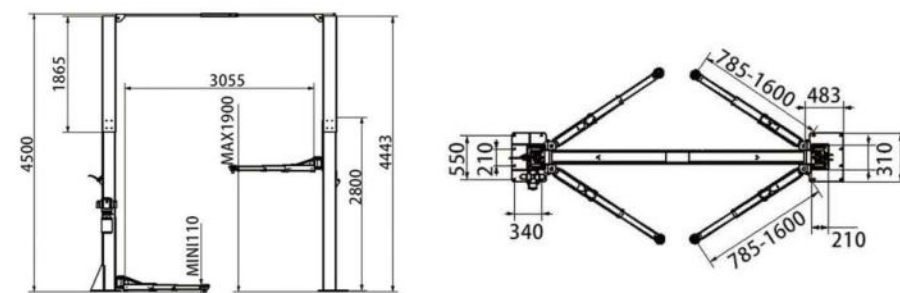
ATL55AS

Butt Plate Two Post Lift

- ⊙ 5.5T Capacity
- ⊙ Single side manual lock
- ⊙ Clear floor plate type
- ⊙ Strong base plate



Dimension(Unit: mm)



KEY FEATURES

1. Single side manual lock, clear floor model.
2. Laser cutting 5mm column, large base.
3. 24V safety electronic control box.
4. Shot blasting finish, advance outdoor powder automatic electrostatics spray aesthetic and durable.
5. Robots and other devices are used to ensure accurate size and smooth surface.
6. German Bosch Rexroth hydraulic valve parts, Italian imported oil sealing ring and ball valves.

TECHNICAL SPECIFICATIONS

Lifting capacity:	5500kg	Overall height:	4500mm
Lifting height:	1900mm	Total width:	4158mm
Mini. height:	110mm	Motor power:	3.0kw-380V/220V
Lifting time:	50-60s	Rated oil pressure:	24MPa
Pass width:	3055mm	Weight:	950kg

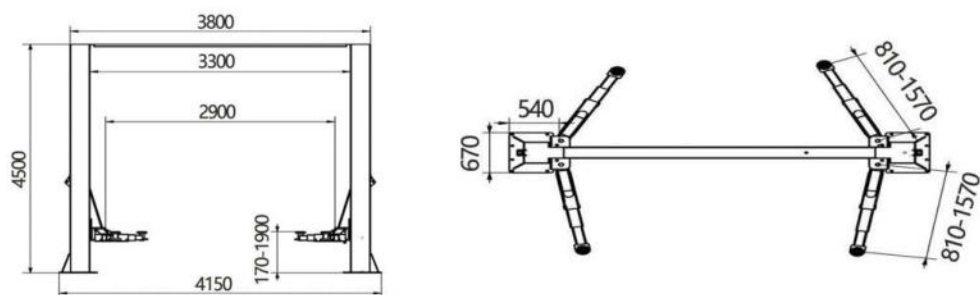
ATL80CA

Two Post Lift

- ⊙ 8T Capacity
- ⊙ Electric lock
- ⊙ Clear floor type
- ⊙ 4*4 chain & tire holder



Dimension(Unit: mm)



KEY FEATURES

1. Electric release.
2. Laser cutting 5mm column, large base.
3. Optional of 24V safety electronic control box.
4. Shot blasting finish, advance outdoor powder automatic electrostatics spray aesthetic and durable.
5. Robots and other devices are used to ensure accurate size and smooth surface.
6. German Bosch Rexroth hydraulic valve parts, Italian imported oil sealing ring and ball valves.

TECHNICAL SPECIFICATIONS

Lifting capacity:	8000kg	Inner column width:	3300mm
Lifting height:	1900mm	Total width:	4150mm
Mini. height:	170mm	Motor power:	3.0kw-380V/220V
Lifting time:	50-60s	Rated oil pressure:	24MPa
Pass width:	2900mm	Weight:	1760kg

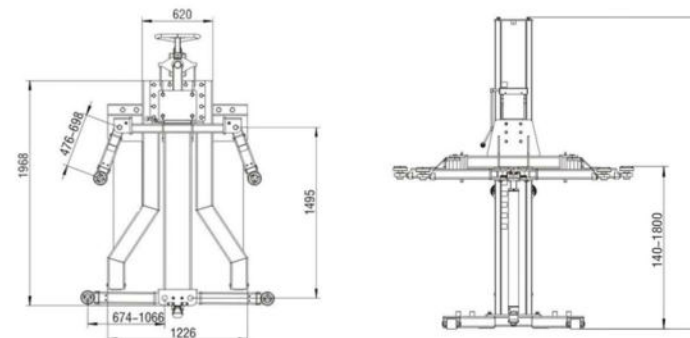
AOL27

Mobile Single Post Lift

- ⊙ 2.7T Capacity
- ⊙ Manual lock
- ⊙ Movable
- ⊙ Mobile trolley & moveable base



Dimension(Unit: mm)



KEY FEATURES

1. Hydraulic system, manual lock.
2. It is convenient to move the device at any time without occupying repair space.
3. Shot blasting finish, advance outdoor powder automatic electrostatics spray aesthetic and durable.
4. Robots and other devices are used to ensure accurate size and smooth surface.
5. German Bosch Rexroth hydraulic valve parts, Italian imported oil sealing ring and ball valves.

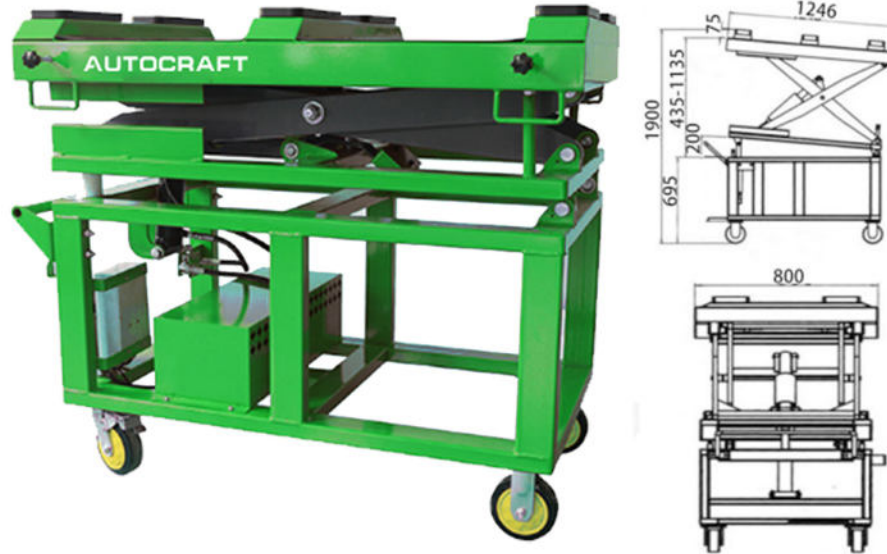
TECHNICAL SPECIFICATIONS

Lifting capacity:	2700kg	Motor power:	2.2kw-380V/220V
Lifting height:	1800mm	Rated oil pressure:	24MPa
Mini. height:	140mm	Air pressure:	0.6-0.8MPa
Lifting time:	50-60s	Weight:	850kg
Overall height:	2550mm		

ABL15

Battery Removal Lift

- 1.5T Capacity
- Electric lock



TECHNICAL SPECIFICATIONS

Lifting capacity:	1500kg	Platform length:	1250mm
Lifting height:	1900mm	Platform width:	800mm
Mini. height:	1130mm	Motor power:	1.1kw/220V

KEY FEATURES

ABL12

New Energy Lift

- 1.5T Capacity
- Electric lock



TECHNICAL SPECIFICATIONS

Lifting capacity:	1200kg	Platform length:	1300mm
Lifting height:	1900mm	Platform width:	770mm
Mini. height:	570mm	Motor power:	0.75kw/220V

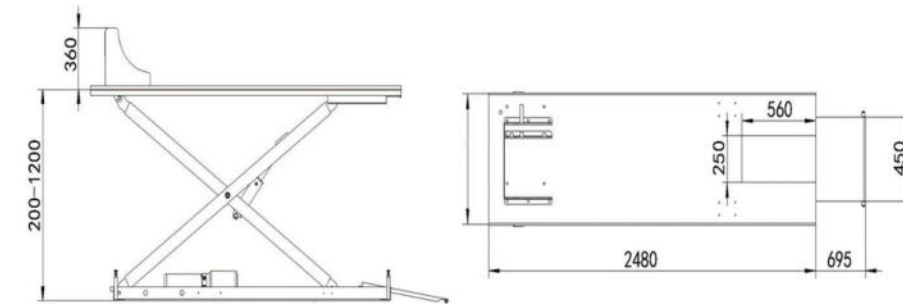
ASL08M

Motorcycle Scissor Lift

- 800kg Capacity
- Hydraulic drive
- Four-level motor, hydraulic pump system



Dimension(Unit: mm)



KEY FEATURES

- The platform supports optional expansion platforms, suitable for various special motorcycle models.
- Hydraulic drive
- Universal bracket and pneumatic clamp are optional for front bracket.
- Concealed 4-stage motor and hydraulic pump station.
- Shot blasting finish, advance outdoor powder automatic electrostatics spray aesthetic and durable.
- Robots and other devices are used to ensure accurate size and smooth surface.
- German Bosch Rexroth hydraulic valve parts, Italian imported oil sealing ring and ball valves.

TECHNICAL SPECIFICATIONS

Lifting capacity:	800kg	Platform width:	720mm
Lifting height of main lift:	1200mm	Motor power:	0.75kw-220V
Mini. height:	200mm	Rated oil pressure:	20MPa
Lifting time:	30-50s	Air pressure:	0.6-0.8Mpa
Platform length:	2480mm	Weight:	375kg